

Technical data sheet



Product features

Fry-top griddle plate 97x48 electric smooth without cabinet 400 V

Model	SAP Code	00007382
FTH 90 EL	A group of articles - web	Grills and grill plates



- Top type: Smooth
- Griddle dimensions [mm x mm]: 970 x 480
- Griddle thickness [mm]: 12.00
- Worktop material: Sandblasted steel
- Container for liquid fat: Yes
- Independent heating zones: Separate control for each heating zone
- Maximum device temperature [°C]: 300
- Surface finish: sandblasted surface without coating
- Removable rim: No

SAP Code	00007382	Power electric [kW]	9.000
Net Width [mm]	988	Loading	400 V / 3N - 50 Hz
Net Depth [mm]	609	Griddle dimensions [mm x mm]	970 x 480
Net Height [mm]	290	Top type	Smooth
Net Weight [kg]	76.00		

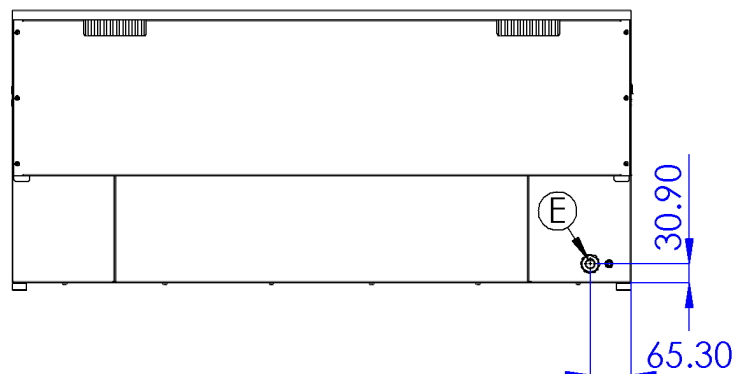
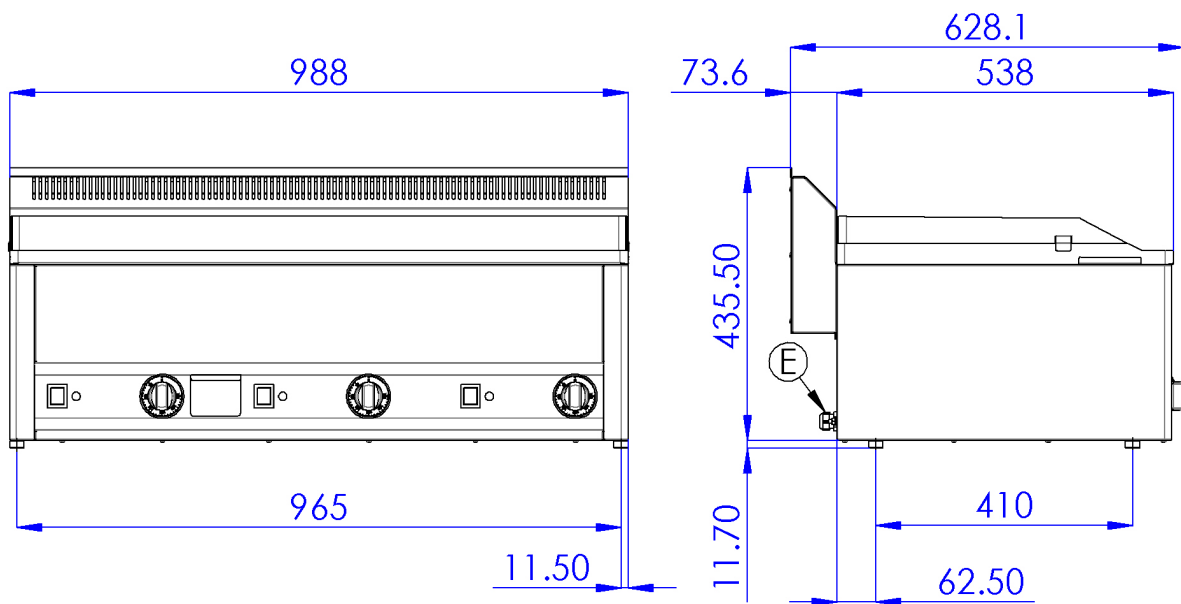
Technical data sheet



Technical drawing

Fry-top griddle plate 97x48 electric smooth without cabinet 400 V

Model	SAP Code	00007382
FTH 90 EL	A group of articles - web	Grills and grill plates



Technical data sheet



Product benefits

Fry-top griddle plate 97x48 electric smooth without cabinet 400 V

Model	SAP Code	00007382
FTH 90 EL	A group of articles - web	Grills and grill plates

1

All-stainless design

long life
resistance of AISI 304 stainless steel material
the material does not cut

- savings on service interventions
- easy cleaning and maintenance of equipment

2

Degree of protection of the control elements IPX4

maintenance-free system
resistance to splash water
long life

- savings on service interventions
- easy cleaning and maintenance of equipment

3

Outlet for waste liquids

ensures that oil drips into the socket

- easy maintenance
- easy cleaning

4

High non-removable hem

better hygienic conditions
preventing grease from splashing onto ancillary equipment

- easy maintenance
- easy cleaning

5

Smooth steel plate

good heat transfer and the surface does not get scratched
enables preparation on smooth or grooved plates

- time-saving for food preparation
- no reheating and long cooking times

6

Cooking unit for use on a table or on a base

variable use
the possibility of placement in smaller spaces

- easy handling
- cost savings on substructure

Technical data sheet



Technical parameters

Fry-top griddle plate 97x48 electric smooth without cabinet 400 V

Model	SAP Code	00007382
FTH 90 EL	A group of articles - web	Grills and grill plates

1. SAP Code:

00007382

2. Net Width [mm]:

988

3. Net Depth [mm]:

609

4. Net Height [mm]:

290

5. Net Weight [kg]:

76.00

6. Gross Width [mm]:

705

7. Gross depth [mm]:

1055

8. Gross Height [mm]:

540

9. Gross Weight [kg]:

83.00

10. Device type:

Electric unit

11. Construction type of device:

Table top

12. Power electric [kW]:

9.000

13. Loading:

400 V / 3N - 50 Hz

14. Protection of controls:

IPX4

15. Material:

AISI 430

16. Indicators:

operation and warm-up

17. Worktop material:

Sandblasted steel

18. Surface finish:

sandblasted surface without coating

19. Maximum device temperature [°C]:

300

20. Minimum device temperature [°C]:

50

21. Adjustable feet:

Yes

22. Griddle dimensions [mm x mm]:

970 x 480

23. Griddle thickness [mm]:

12.00

24. Container for liquid fat:

Yes

25. Independent heating zones:

Separate control for each heating zone

26. Removable rim:

No

27. Uniform heating:

Yes

28. Top type:

Smooth

Technical data sheet



Technical parameters

Fry-top griddle plate 97x48 electric smooth without cabinet 400 V

Model	SAP Code	00007382
FTH 90 EL	A group of articles - web	Grills and grill plates

29. Cross-section of conductors CU [mm²]:

2